



**STANDARD CONSTRUCTION**

**BODY:**

GRV: 26 GAUGE G-90 GALVANIZED STEEL SHEET  
ARV: 0.018" 3003H14 ALUMINUM SHEET  
UNIVERSAL FLANGE

**OPTIONS:**

CUSTOM SIZES AVAILABLE  
COLLAR (ADD A "C" TO THE END OF THE MODEL NUMBER)  
DAMPER (ADD A "D" TO THE END OF THE MODEL NUMBER)  
COLLAR AND DAMPER (ADD A "CD" TO THE END OF THE MODEL NUMBER)

**STANDARD SIZES:**

MODEL	WIDTH (W)	HEIGHT (H)	FLANGE (F)	BASE (B)	VENT DEPTH (VD)	VENT HEIGHT (VH)	VENT OPENING (SQ. IN)	COLLAR OPTION (DIA)
GRV4 / ARV4	4"	6 1/4"	2 1/2"	7"	2 3/4"	3"	11.4	4"
GRV4T / ARV4T		9"	2 1/2"	7"	2 3/4"	6"	11.4	
GRV4XT / ARV4XT		14 1/8"	3"	10"	4 3/4"	10 1/4"	19.6	
GRV6 / ARV6	6"	6 1/4"	2 1/2"	7"	2 3/4"	3"	16.9	6"
GRV6T / ARV6T		9"	2 1/2"	7"	4 3/4"	6"	16.9	
GRV6XT / ARV6XT		14 1/8"	3"	10"	4 3/4"	10 1/4"	29.1	
GRV10 / ARV10	10"	9"	2 1/2"	7"	2 3/4"	6"	27.9	7"
GRV10T / ARV10T		11 3/4"	3"	9 3/8"	4 3/4"	8"	48.1	
GRV10XT / ARV10XT		14 1/8"	3"	10"	4 3/4"	10 1/4"	48.1	

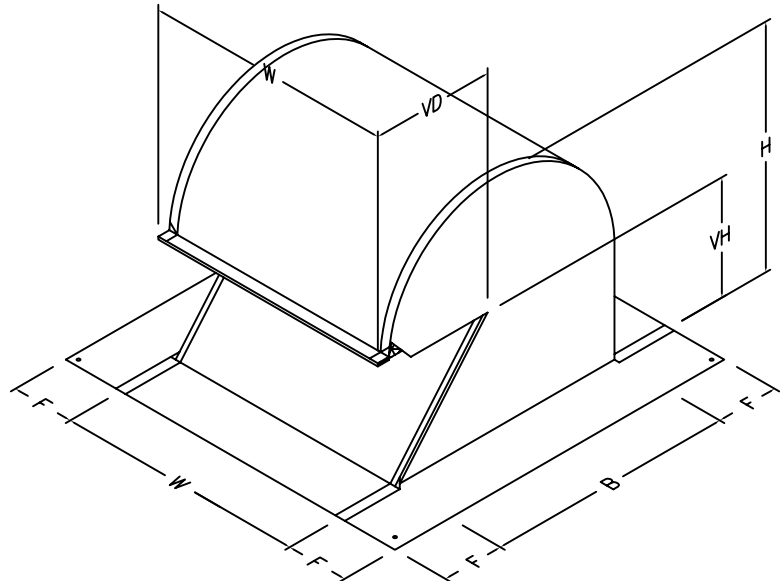
**FEATURES**

BIRDSCREEN STANDARD ON ALL ROOF VENTS, UNLESS ORDERED WITH DAMPER.

26 GAUGE GALVANIZED STEEL OR 0.018" ALUMINUM SHEET PROVIDE EXCELLENT CORROSION RESISTANCE AND LONGEVITY.

SEALED SEAMS KEEP OUT THE ELEMENTS.

FLANGED BASE PROVIDES FOR GOOD VENT-TO-ROOF CONTACT AND AN EASY CAULKING SURFACE.



JOB NAME:
LOCATION:
ARCHITECT:
ENGINEER:
CONTRACTOR:
CONTACT MIAMI TECH INC. FOR ADDITIONAL INFORMATION OR WITH SPECIAL REQUIREMENTS.
3611 NW 74TH ST MIAMI, FL 33147
PHONE: 305-693-7054 FAX: 305-693-6152
WEB: WWW.MIAMITECH.COM EMAIL: SALES@MIAMITECH.COM

**GRV, ARV**

GALVANIZED/ALUMINUM ROOF VENT  
PRODUCT SPECIFICATIONS

NOTE: ALL DRAWINGS SUBJECT TO CHANGE WITHOUT PRIOR NOTICE.



DRAWN BY: AF	DATE: 08/20/07	SCALE: NOT TO SCALE	DRAWING NO. GRV/ARV
CHECKED BY: AV	DATE: 05/04/10	REVISION: C	